

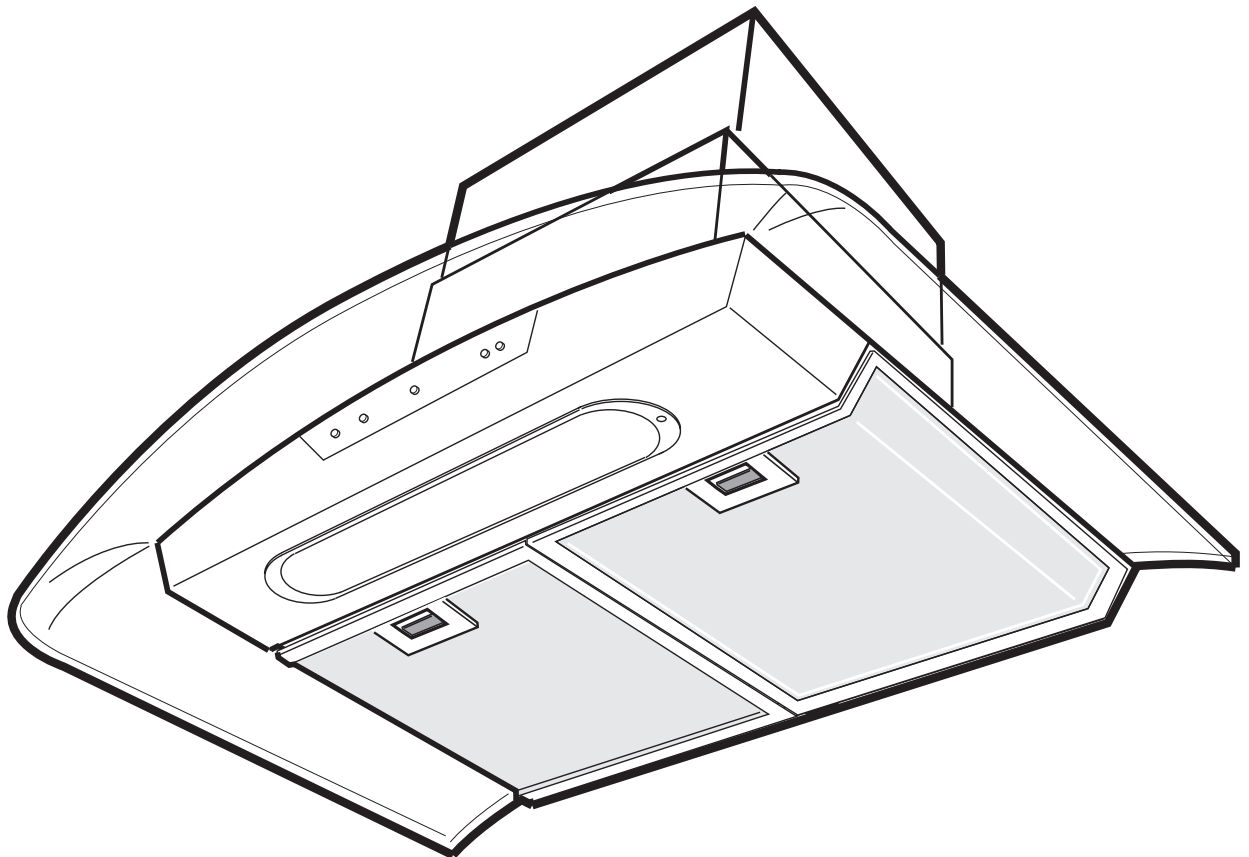


Gebrauchsanweisung, Libro de Instrucciones, Manuel d'utilisation

EFC 939 X

EFC 639 X

Istruzioni per l'uso, User Manual



D E F I UK

Contents

Safety instructions	41
Description of the appliance	42
Mounting of grease filters	42
Function	42
Exhausting version	42
Recycling version	42
Special accessories	43
Active carbon filter	43
Installation	43
Placement	43
Electrical connection	43
Mounting of hood	44
Exhausting version	45
Recirculating version	45
For both versions:	45
Mounting of carbon filter (for recirculating version)	45
Using the hood	46
Intensive speed button	46
Control devices for the grease filter and carbon filter	46
Important to know	46
Grease filter saturation led	46
Carbon filter saturation led	47
Correct ventilation	47
Maintenance	47
Grease filter	47
Carbon filter	47
Cleaning	47
Changing the lighting elements	47
If the hood does not function	48
Service and spare parts	48
Technical data	48
Dimensions	48

Congratulations to your new Cooker Hood

Thank you for your choice of an Electrolux product. We are convinced that you will have great use and pleasure from your new cooker hood.

Before you use the cooker hood we recommend that you read through the whole user manual giving a direct description of the cooker hood and its functions.

To avoid the risks, that are always present when you use a product driven by electricity, it is important that the cooker hood is installed correctly and that you read the safety instructions carefully to avoid misuse and hazard.

Save the instruction manual and keep it available at use of the cooker hood



Safety instructions

At installation and service

- The cooker hood is made for normal households with normal cooking. If it is used for other purposes there is a risk of damage which is not covered by the warranty.
- All eventual electric installation has to be carried out by a qualified electrician. The installation of the hood should be made by a person with enough knowledge. Installation made otherwise could lead to loss of performance and even injuries and /or damage on properties.
- The hood cannot be connected to flues of other appliances that run on energy sources other than electricity.
Please, keep to the provisions of official directives regarding the question of fumes discharge.
- When the hood is used at the same time of other appliances that run on energy sources other than electricity, provision must be made for an adequate supply of air.
- When installed, the hood must be not less than 65 cm. above electric burners or 75 cm. above gas or mixed-fuel burners. (Fig. 3).
- The power cord should be drawn so that there is no risk of damage. Hazard!

At use of cooker hood

- No food must be cooked flambee underneath the hood.
- The use of an unprotected flame is dangerous for the filters and could cause fires.
- Never leave the deep-frying or frying pan over a cooker/hob. The oil contained in the pan may spontaneously ignite through overheating.
- Observe the filter change or cleaning intervals. Failure to observe these intervals may cause the risk of fire through fat deposition.

Note! If a fire starts; Switch of the cooker hood and the heating zone; **Cover the fire , Never use water.**

At disposal

- Help to avoid damages even when the cooker hood should be disposed. Disconnect the power plug and cut the power cord at hood inlet. Check with the authorities for information of how to proceed for disposal.

Description of the appliance

1. Control panel
2. Operating light
3. Grease filters

Standard accessories included:

- Screws for mounting
- Template for wall mounting
- No return valve (mounted on air outlet)

Mounting of grease filters

Attention! The grease filters are supplied not mounted and packed in order to avoid damages during transport of the hood.

- Fit the pins of the filter on the slots of the grease filter housing, then use the handles of the filter to lock them.

Dismount the filter the opposite way.

- Pull the handles backwards to loosen the filter (Fig. 1).

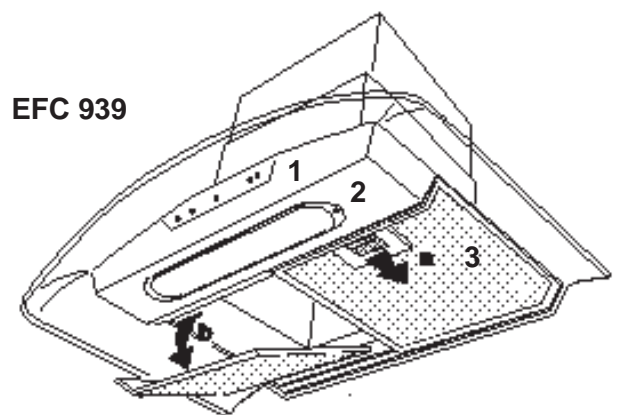
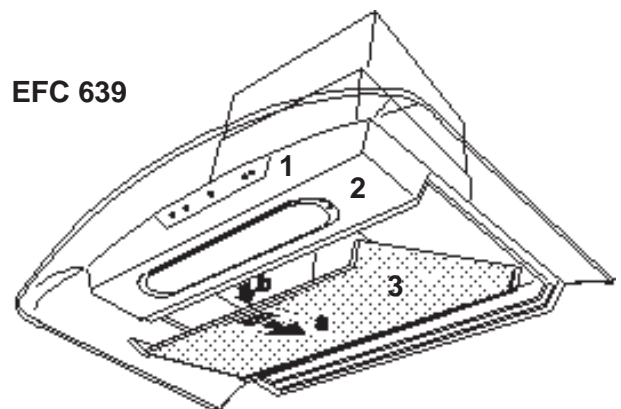


Fig. 1

Function

The hood may be used as follows:

- Exhausting version
- Recycling version

Exhausting version

The air is vented outdoors by a 150 mm duct which must be connected to connecting ring with no return valve on top of the motor package.



The hood cannot be connected to flues of other appliances that run on energy sources other than electricity. Please, keep to the provisions of official directives regarding the question of fumes discharge.

Recycling version

The air is filtered through a carbon filter and recirculated into the room through the top sides of the chimney (Fig. 2).

This version is used when there is no exhaust duct for venting outdoors or when it is impossible to install one.

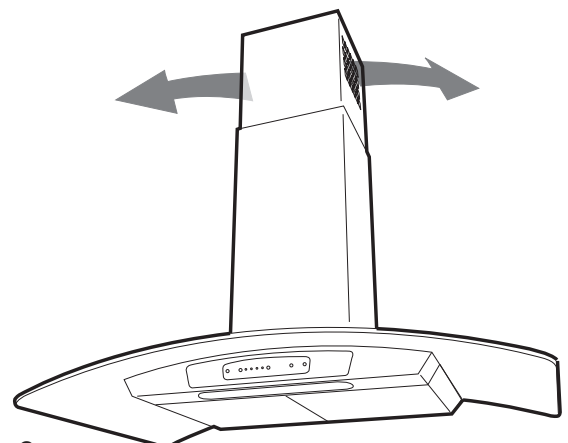


Fig. 2

Special accessories

Active carbon filter

When the hood is used in recirculation mode an active carbon filter should be used.

Order by the retailer: PNC 942 120 182

Installation

Unpacking

Check that the cooker hood has no damages.

Transportation damages should immediately be reported to the one responsible for the transport. Damages, faults and eventually missing details should immediately be reported to the seller.

Take care of the packing material so that small children cannot play with it.

Placement

The hood is to be mounted on the wall.

When installed, the hood must be not less than 65 cm. above electric burners or 75 cm. above gas or mixed-fuel burners. (Fig. 3).

Electrical connection

The hood has a power cord with moulded plug with earth connection to be connected to a wall outlet of 230 V.

The power outlet should be pre-mounted in such a way that the power cord is invisible when the hood is fully mounted.

The power cord length is 1,25 m.



As it is then hard to disconnect the power plug for cleaning and service, an easy accessible two pole switch should be fitted. The switch should conform to regulations with an opening distance between contacts of not less than 3 mm.

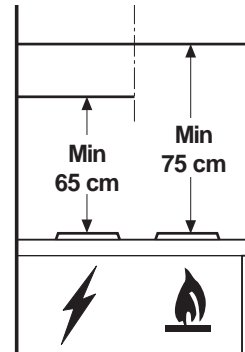


Fig. 3

Mounting of hood

- Fit the drilling scheme onto the wall at the right height. (Fig. 4)
The lower edge of the scheme correspond to the lower edge of the cooker hood.
- On the drilling scheme is printed a line corresponding to the centre of the appliance; with a pencil draw a line up to the ceiling, this will aid installation procedures. (Fig. 4)
- Drill as indicated on the scheme and fit two dowels, two hooks and two screws 5x45. (Fig. 4)

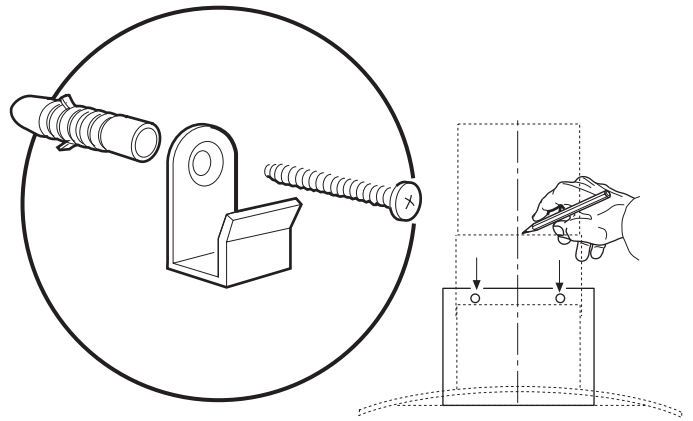


Fig. 4

- Hang the hood, adjust the position using the screws on the hooks of the hood. (Fig. 5)
- Release the grease filters. (Fig. 1)

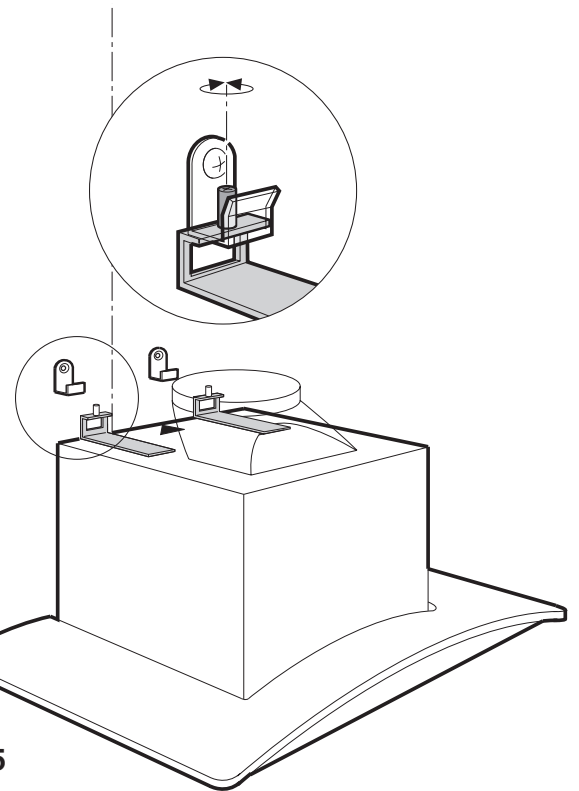


Fig. 5

- From the inside of the hood mark on the wall the point corresponding to the hole which will be used to fix definitively the hood. (Fig. 6)
- Remove the hood.
- Drill two hole (Ø 8mm) and fit two dowels. (Fig. 6)
- Hang the hood again on the hooks.
- From inside of the hood insert the definitive fixing screws. (Fig. 6)

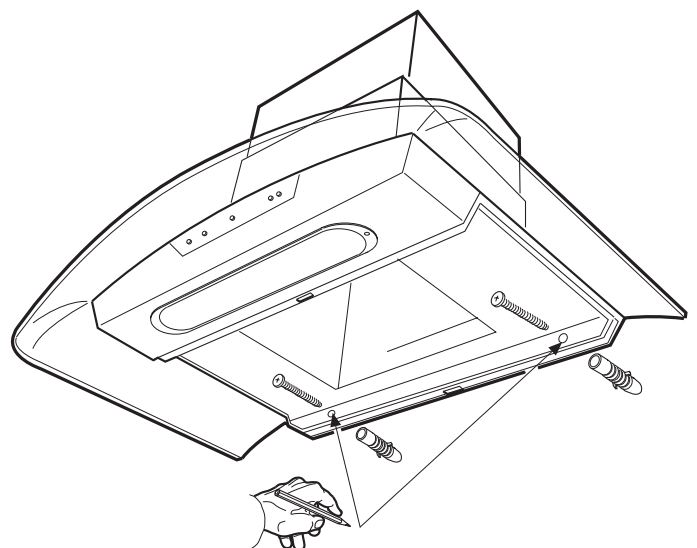


Fig. 6

- Dismount the chimney support from the chimney unscrewing the two side screws (one per side of the chimney- conserve them). (Fig. 7)
- Dismount the deflector "b" from the chimney support unscrewing the two screws that fix the deflector to the chimney support (conserve the screws). (Fig. 7)
- Fit the chimney support onto the wall close to the ceiling.
The support has a reference mark, this must match the line previously drawn on the wall. (Fig. 7)
- Mark with a pencil the hole to be done and drill the holes (Ø 8mm).
- Insert two wall dowels and fix the telescopic chimney support with two screws 5x45. (Fig. 7)



The power plug must be disconnected from the mains during the mounting procedure.

Make the choice of how to use the hood:

Exhausting version

- Fit a Ø 150 mm exhausting pipe or flex tube on the hood outlet on top of the motor housing and connect it to the wall or roof outlet pipe.

Recirculating version

- If not already fitted, fit the connection ring (a - Fig. 7) supplied (bajonett attachment - turn clockwise and fix with a screw) on the deflector b.
- Insert the deflector in the chimney support and fix it with two screws (Fig. 7).
- Fit a Ø 150 mm exhausting pipe on the motor outlet connection ring sufficiently long to reach the connection ring on the deflector.

For both versions:

- Now connect the power plug to the wall outlet.
- If a no return valve is used check that it can open correctly and is not blocked by the flex tube
- Fix the chimney top part on its support with two screws (Fig. 7).
- Slide the lower section of the chimney downwards and insert it on its proper housing on the upper side of the hood (Fig. 7).

Mounting of carbon filter (for recirculating version)

- Remove the grease filter.
- Fix the carbon filter with its two screws (Fig. 8).
- Replace the grease filter.

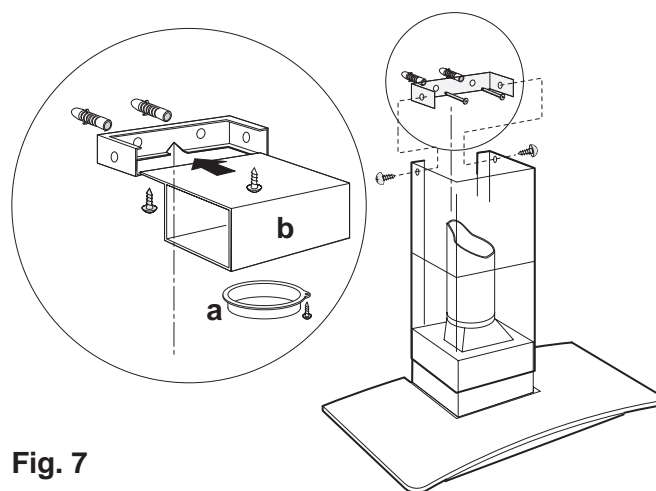


Fig. 7

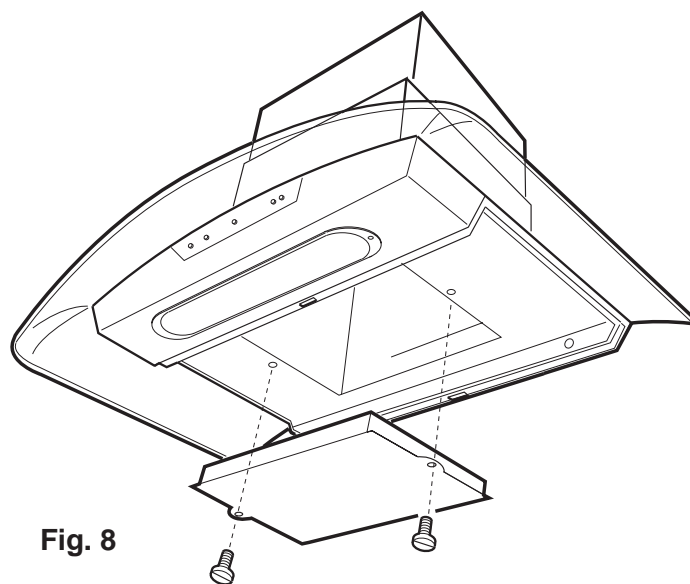


Fig. 8

Using the hood

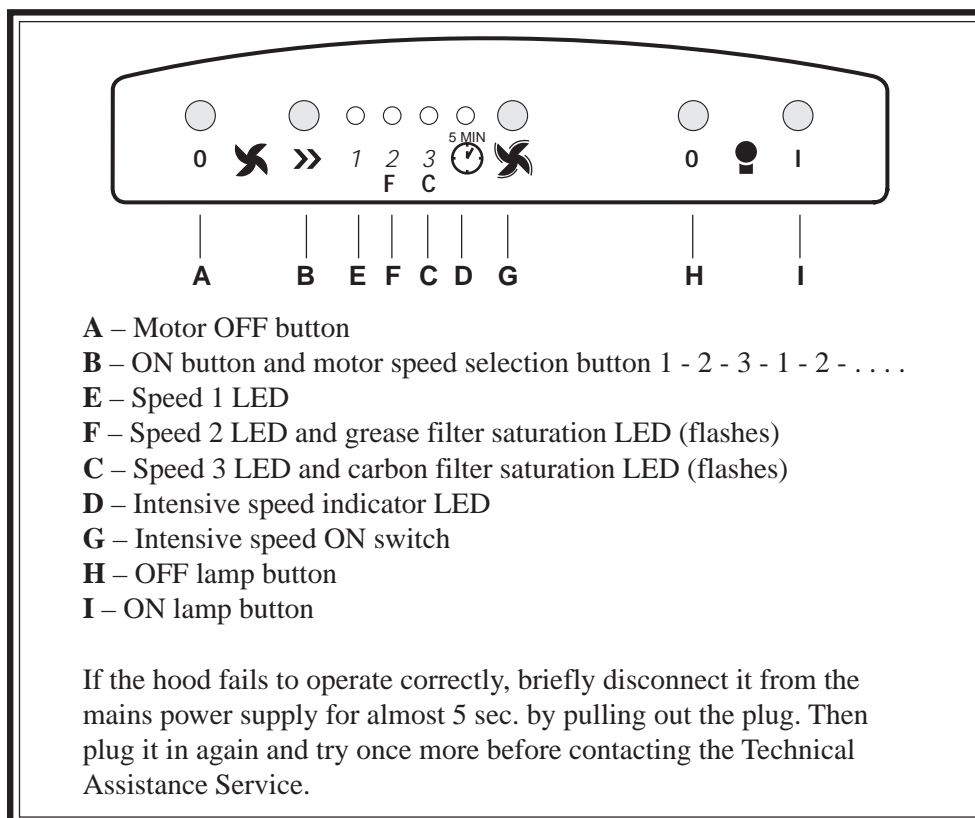
The hood has one variable speed motor. For the best performance, we recommend using the low speeds in normal conditions and the high speeds in particular cases of strong odour and vapour concentration.

We recommend starting up the hood a few minutes before cooking and keeping it running until all the odours have been eliminated.

Important to know

If the hood is run at the same time as a burner or fireplace that depend on ambient air (for example gas, Diesel, coal or wood heaters, water heaters, etc.) be careful, because the hood, when it exhausts the air, removes the ambient air required by the burner or fireplace for combustion.

Not valid if the cooker hood is used in recirculation mode.



Intensive speed button

This speed should be used when the concentration of cooking fumes or odours is particularly strong (for example when frying, cooking fish etc.). The fast speed will run for about 5 minutes and then return to the speed previously set automatically (1, 2 or 3), or switch off if no speed was selected. To turn off the fast speed, before the end of the 5 minutes, press button **A** or button **B**.

Control devices for the grease filter and carbon filter

This hood has a device which warns you when to clean the grease filter or replace the carbon filter (in the case of the air recirculation version). This hood is delivered without a carbon filter. For this reason the warning signal to replace the carbon filter is not connected.

If the hood will be used for recirculation of air, with carbon filter, the warning signal have to be connected as follows: Press the buttons **B** and **G** at the same time for about 3 seconds. The LED marked F lights up. When the LED marked C lights up, the warning signal is connected.

To disconnect the warning signal, press the buttons **B** and **G** at the same time for about 3 seconds until the LED marked C goes out.

Grease filter saturation led

The LED marked **F** warns you when the grease filter needs to be cleaned.

This LED flashes to warn you that the grease filters must be cleaned.

Generally, these must be cleaned after 40 hours of use.

Read the maintenance instructions provided for the grease filters.

Carbon filter saturation led

The LED marked **C** indicates carbon filter needs to be replaced.

This must be done after approximately 160 hours of use.

Read the instructions provided for replacing the carbon filter.

To restore the LED for the filter warnings.

After cleaning of the grease filter and exchange of the carbon filter, press button **A** for about 3 seconds until the LED **F** stops flashing.

Correct ventilation

To have the cooker hood working correctly the windows in the kitchen should be closed. In stead a window in an adjacent room should be open.

(Fig. 9)

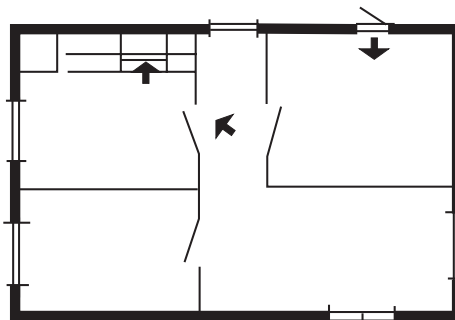


Fig. 9

Maintenance



Before performing any maintenance operation, disconnect the hood from the electricity.

Grease filter

This serves to hold the grease particles in suspension.

The metal filter should be washed when the grease filter saturation LED flashes, normally once per month.

Wash it with warm soapy water or, if possible, in the dishwasher (60°C).

Let dry before reinstalling.

Carbon filter

This filter dissolves cooking odours.

It should be changed when the Carbon filter saturation LED flashes. Ask the technical assistance service or manufacturing company for a new one.

The carbon filter must never be washed.

To remove the carbon filter, first remove the grease metal filters and then unscrew the two screws that holds the grease filter and pull the filter down (Fig. 8).

Cleaning

To clean the outside of the hood use a cloth moistened with denatured alcohol or neutral liquid detergents. Never use products containing abrasives.

Attention

Failure to observe the rules for cleaning the appliance and changing and cleaning the filters may cause fires. Therefore, we recommend observing these instructions.

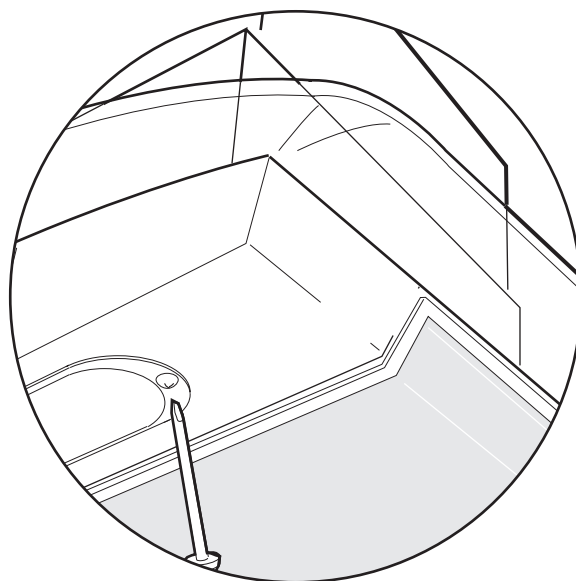


Fig. 10

Changing the lighting elements

- With the help of a screwdriver remove the screw that secures the lamp cover (Fig. 10).
- Remove the lamp cover.
- Replace the damaged part with one of equal rating.
- Mount the lamp cover and secure it with the screw.

If the hood does not function

Before you make contact to service

Check that the power plug is connected to the wall power outlet and that no fuse is blown. Do not do any operations that can cause hazard or damage to the product. If the problem remains contact your dealer or an approved service company

Remember to save the purchase recite and the Warranty card (only used in some countries)

Service and spare parts

Service and spare parts you will get via your dealer or service company.

When you order service or spare parts you should be ready to give the product number and model denomination. This information you will find on the rating label.

Take away the grease filter and you will find the rating label behind.

Model: _____

Product number: _____

Date of purchase: _____

Technical data

Model		EFC 939 X	EFC 639 X
Capacity	Intensive	609 m ³ /h ^{x)} 225 m ³ /h	609 m ³ /h ^{x)} 225 m ³ /h
	full speed	483 m ³ /h	483 m ³ /h
	low speed	246 m ³ /h	246 m ³ /h
Dimension	Height	590 - 910 mm	590 - 910 mm
	Width	898 mm	598 mm
	Depth	490 mm	490 mm
Light (energy saving lamp)		1 x PL 11 W	1 x PL 11 W
Grease filter		2 pcs	1 pc
Mains Voltage		230 V	230 V
Power rating total		200 W	200 W

^{x)} Valid when the hood is used with carbon filter (recirculation)

Dimensions

